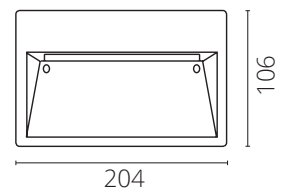
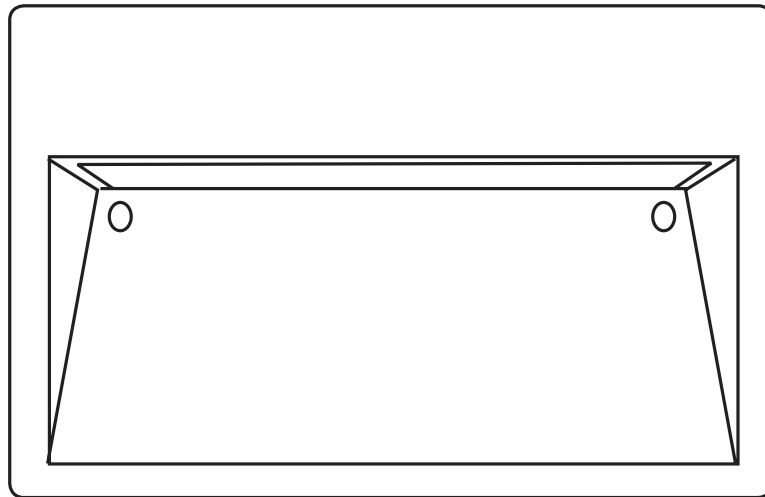


# BRIX R

## *Installation manual*

**Technolite**  
www.technolite.co

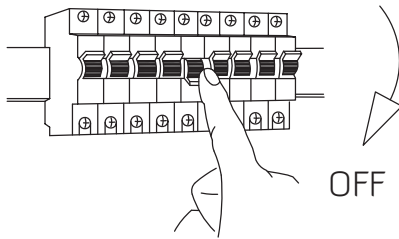


  
196x98

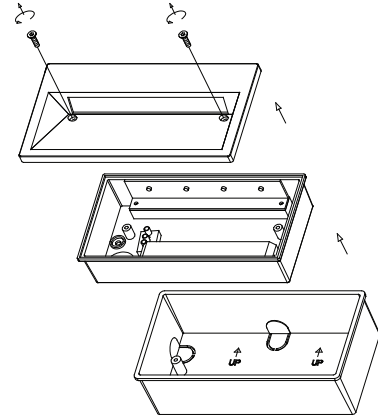


*Inspired by light*

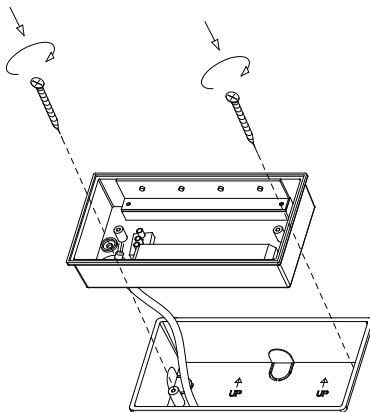
01



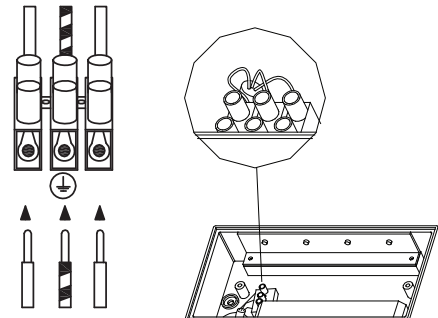
02



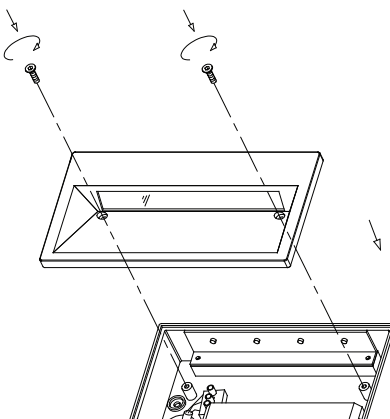
03



04



05



06

